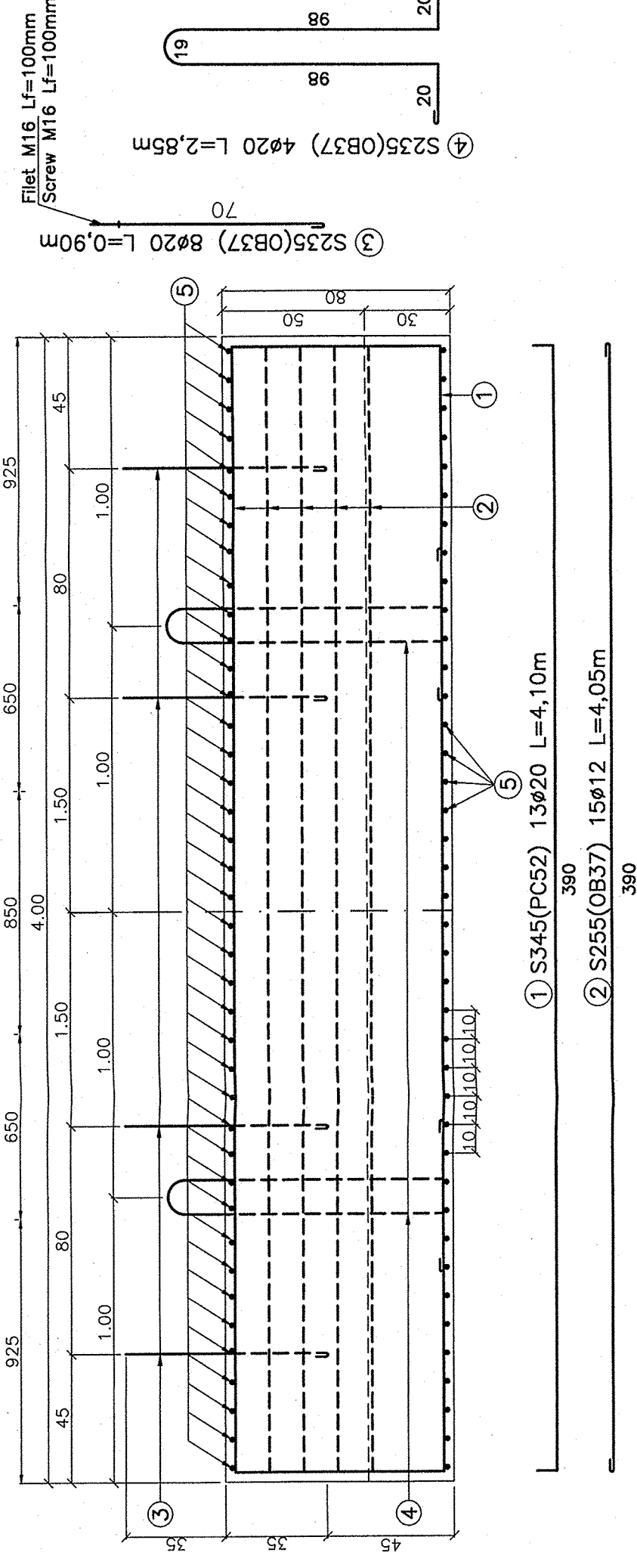
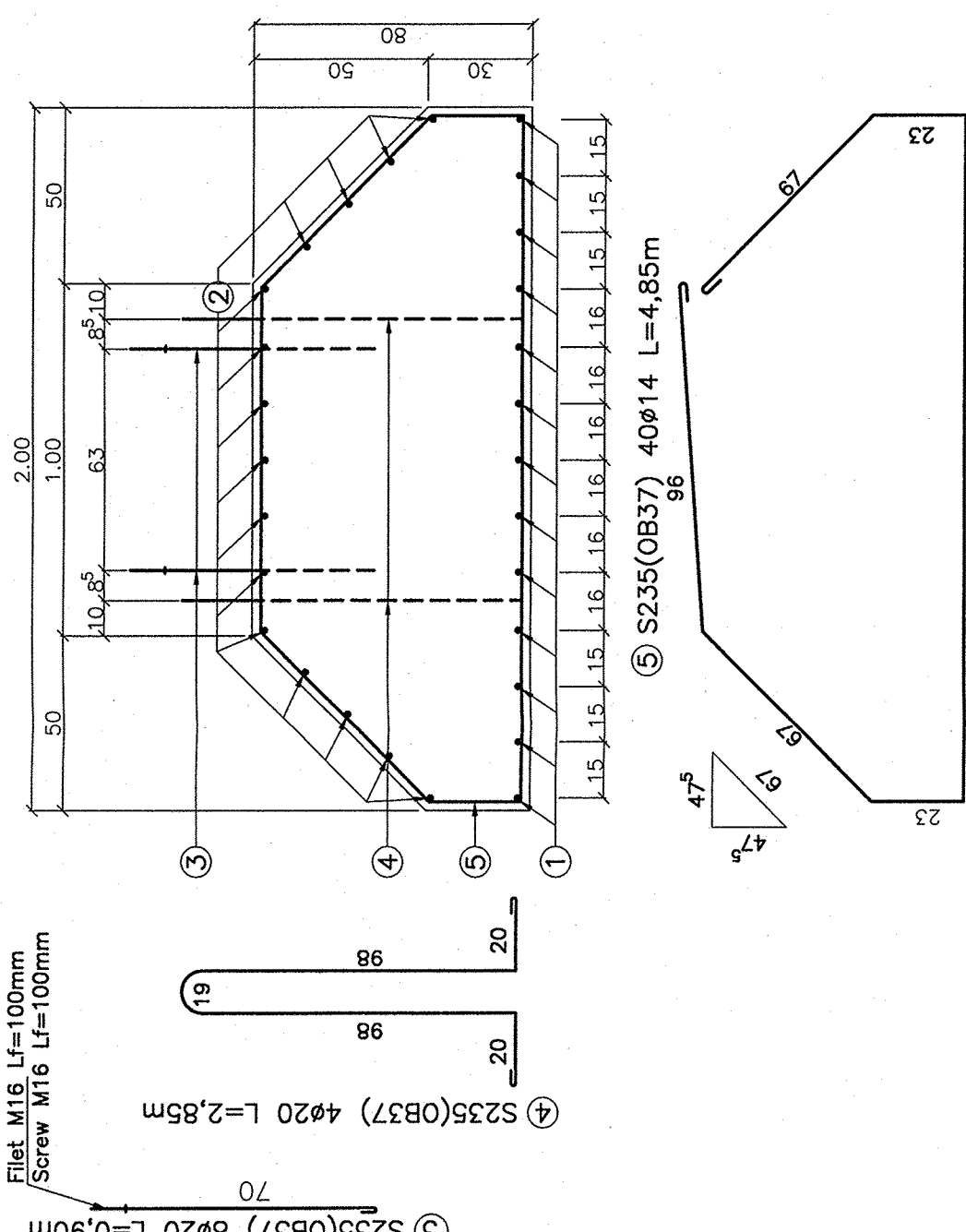


SECTIUNE/SECTION A-A



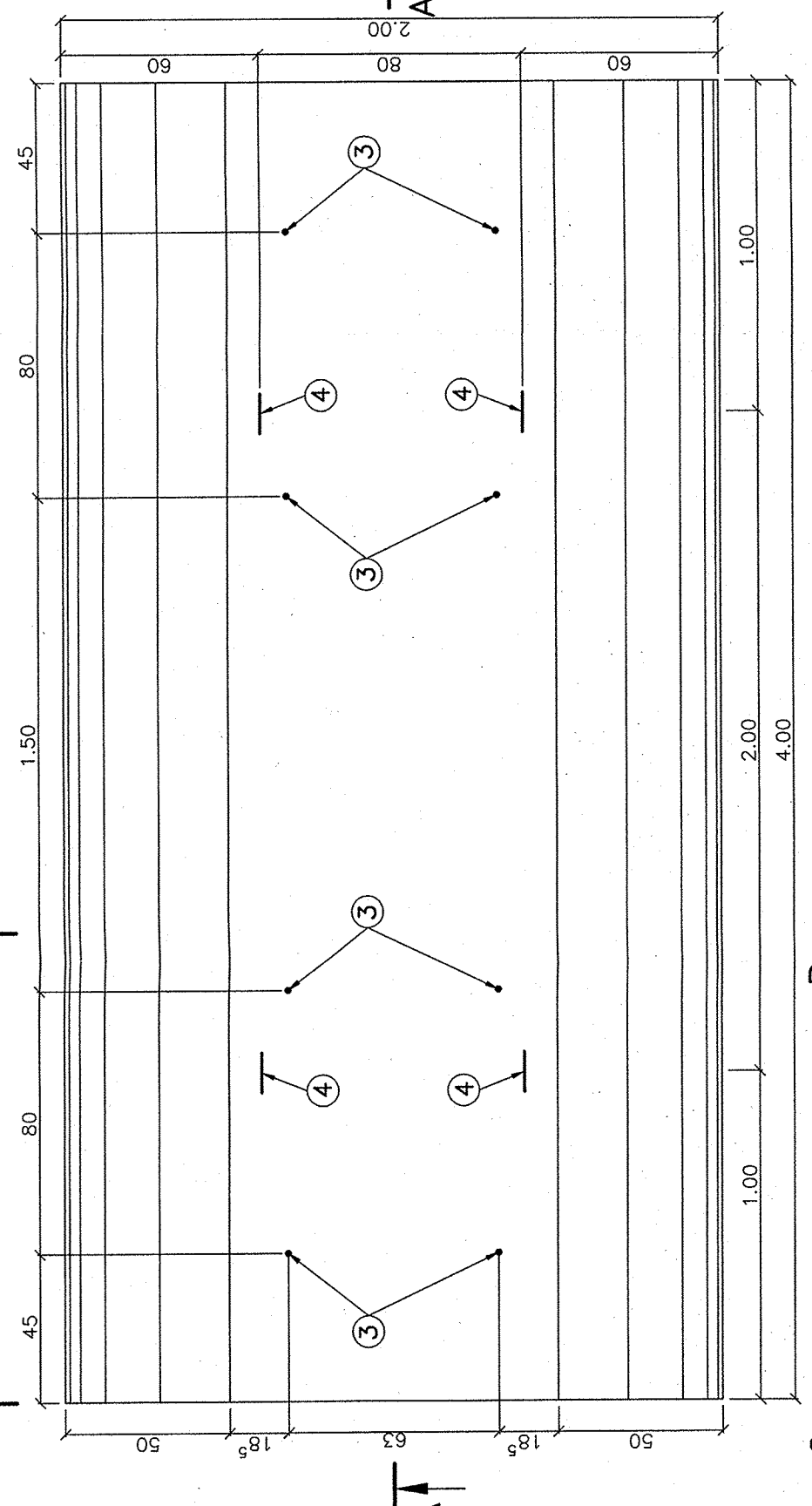
① S345(PC52) 13Ø20 L=4,10m
② S255(OB37) 15Ø12 L=4,05m

SECTIUNE/SECTION B-B



③ S235(OB37) 8Ø20 L=0,90m
④ S235(OB37) 4Ø20 L=2,85m
⑤ S235(OB37) 40Ø14 L=4,85m

SECTIUNE/SECTION C-C

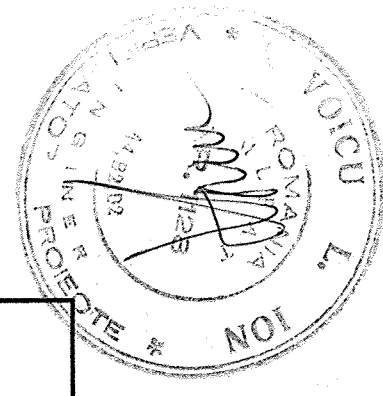


⑥ S255(OB37) 2x4Ø12 Lm=0,70m
⑦ S255(OB37) 2x7Ø12 L=0,85m
⑧ S255(OB37) 2x3Ø12 L=1,75m

EXTRAS DE ARMATURA PENTRU O FUNDATIE REINFORCEMENT TABLE FOR ONE FOUNDATION

Marca / Marca	Diam. / Diameter	Bucati / Pieces	Lungime / Length	Lungime pe Diametru / Length per diameter	
				S255-S235(OB 37)	S245(PC52)
				Ø12	Ø20
1	20	13	4.10		59.30
2	12	15	4.05	60.75	
3	20	8	0.90		7.20
4	20	4	2.85		11.40
5	14	40	4.85	194.00	
6	12	8	0.70	5.60	
7	12	14	0.85	11.90	
8	12	6	1.75	10.50	
Total Lungime / (Total length)			88.75	194.00	53.30
Masa pe metru / (Weight per meter)			0.888	1.208	2.466
Masa pe diametre / (Weight per diameters)			79.00	235.00	132.00
Greutate armatura pe tip otel / (Reinforcement weight for type steel)					360.00
Greutate armatura / (Reinforcement weight)					492.00

Cofraj (Shuttering)
Beton C20/25 (Concrete C20/25)
Greutate (Weight)
Armatura (Reinforcement)
Piulite M16 (Screw)
Acoperire beton (Cover concrete)
20.04mp
5.40mc
13.50t
S255-S235(OB37), S245(PC52)
8buc.
5 cm



CFEU CONTRACTING AUTHORITY
CONSIS PROJECT
 Beneficiary: ROMANIAN RAILWAY NATIONAL COMPANY
 Beneficiary: AUTORITATEA DE IMPLEMENTARE / IMPLEMENTING AUTHORITY
 Ministry of Economy and Finance / Ministry of Transport
 Project: POS Transport 2007-2013
 Project: PORTOFOLIUL DE PROIECTE PHARE CES 2005 / PHARE CES 2005 PROJECTS PORTFOLIO
 Project: Asistență tehnică pentru pregătirea unor lucrări de reabilitare pentru tuneluri și poduri de cale ferată / Technical assistance for preparing rehabilitation works required by railway tunnels and bridges
 Project: Pod / Bridge km 20+434ARMARE FUNDATIE / PROVIDIZORIE/REINFORCEMENT TEMPORARY FOUNDATION

Intocmit / Designed: Ing. Cosmin Coteanu
 Verificat / Checked: Ing. Ioan Dacin
 Șef echipa / Team leader: Ing. Stelian Varea-Oros
 Data / Date: 05.2009
 Scara / Scale: 1:20

Contract / Contract: 10303/2007
 Faza / Phase: PTH/DE TP/00
 Nr. / No.: PD 6
 11